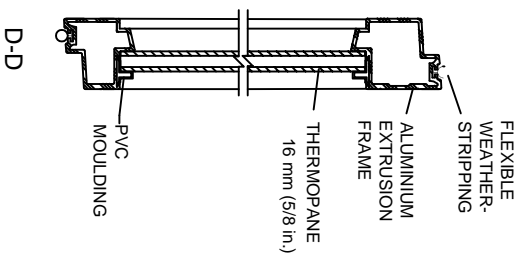
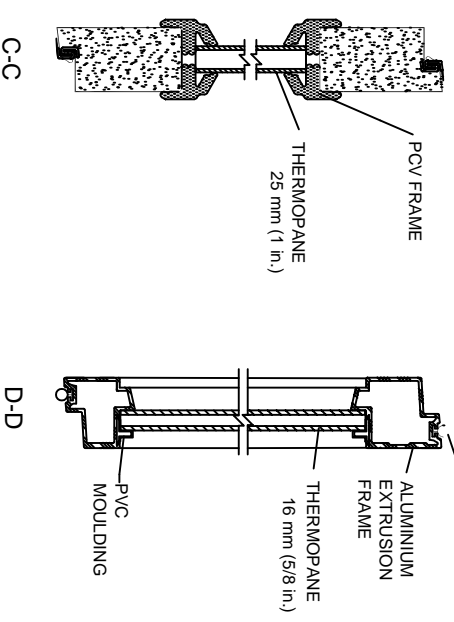
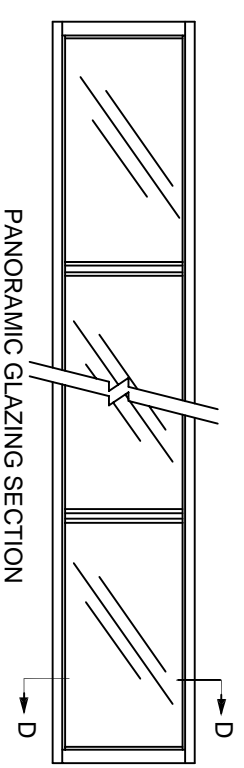
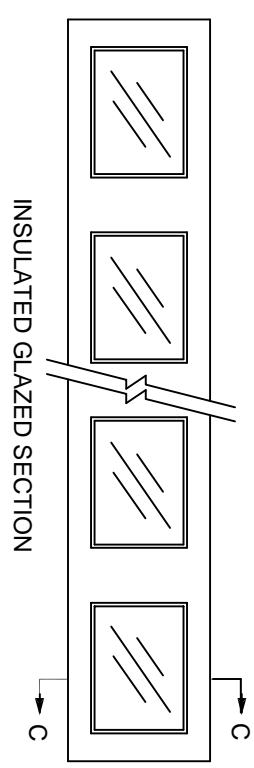


Door model : G5000
 Thickness: 45mm (1-3/4")
 RSI : 2.8 (R16)
 Exterior finishing : 26 ga. Steel
 Interior finishing : 26 ga. Steel
 Finish : Woodgrain
 Exterior colour :
 Interior colour :



# DOOR	QTY	WIDTH	HEIGHT	NB OF SECTION	NB OF GLAZED SECTION	MODEL	QTY PANES	SIZES		OPERATION
								WIDTH	HEIGHT	

GLAZED SECTIONS		OPERATION	OPTIONS



OVERHEAD GARAGE DOOR

PROJECT: _____

DISTRIB. : _____

ARCHITECT : _____

CONTRACTOR : _____

DATE : _____